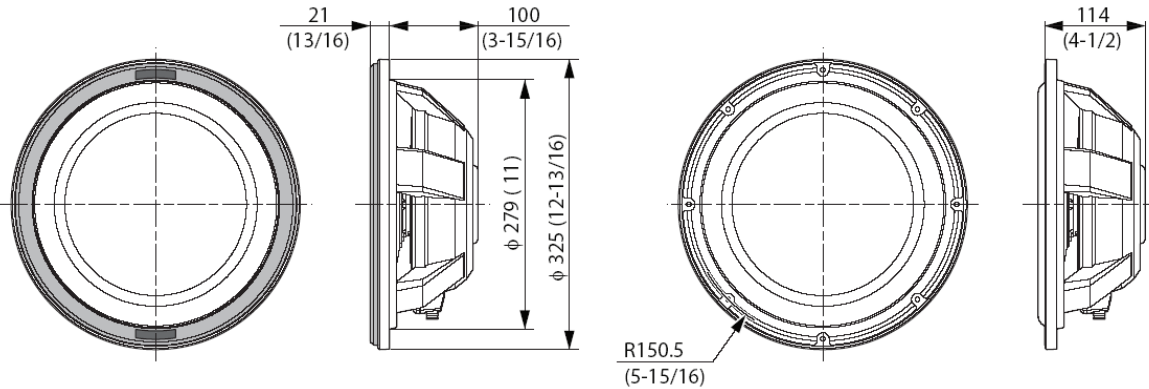


KFC-WS12

Specifications

- Subwoofer**300 mm (12") Glass Fiber Honeycomb Cone
- Nominal Impedance**4 Ω
- Peak Input Power**1,400 W
- Rated Input Power**350 W
- Sensitivity**91 dB / W at 1 m
- Free Air Resonance**25 Hz
- Frequency Response**30 - 700 Hz
- Net Weight**7,000 g (15.4 lb)

Dimensions



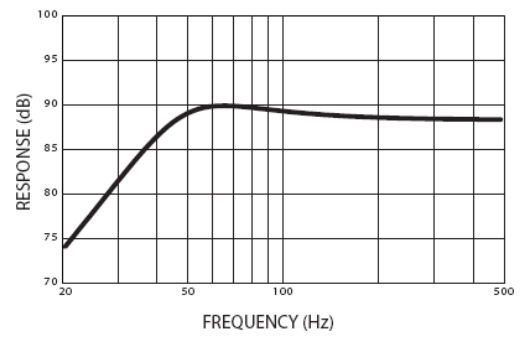
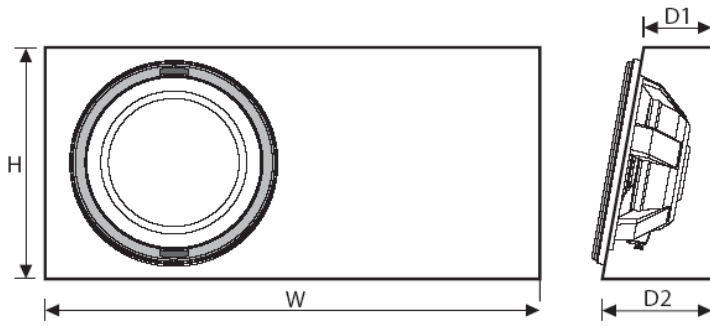
Unit : mm (inch)
Unité : mm (pouces)

Technical specifications

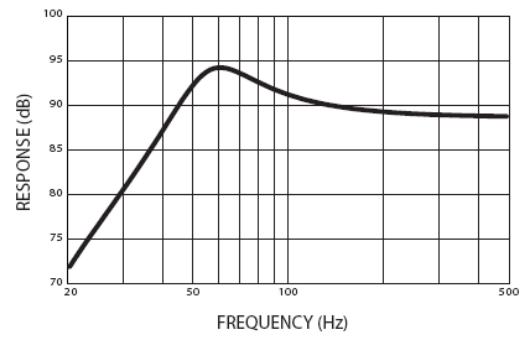
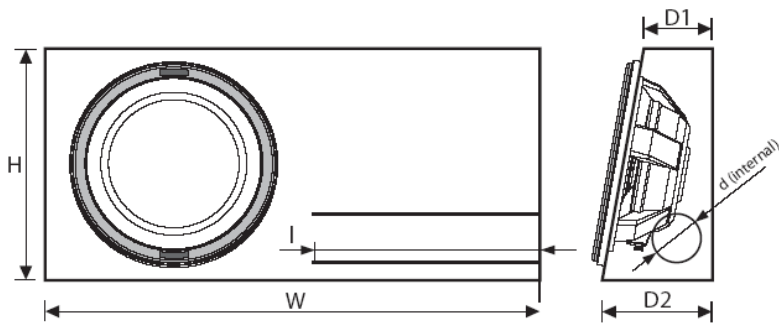
	SYMBOL	UNIT	VALUE
Nominal Impedance	Z	Ω	4
DC Resistance	Revc	Ω	3.2
Voice Coil Inductance	Levc	mH	2.8
Piston Area	Sd	sq.m	0.049
Force Factor	BL	T·m	11.58
Volume Acoustic Compliance	Vas	liter	70.87
		cu.ft	2.502
Moving Mass	Mms	g	187.8
Resonance Frequency	Fs	Hz	25.2
Mechanical Q Facto	Qms		4.719
Electrical Q Facto	Qes		0.709
Total Q Facto	Qts		0.617
Peak Power		W	1,400
Peak Excursion	Xmax	mm	8.5
Displacemen		cc	1,740
		cu.ft	0.061
Mounting Depth		mm (in.)	100 (3 - 15/16)
Weight of Magnet		g (oz)	1,370 (48.2)
Voice Coil Diamete		mm (in.)	65 (2 - 9/16)

Recommended Enclosures

■ SEALED



■ PORTED



Recommended Enclosure

Type	Inner Volume	W	H	D1	D2	Mounting Hole	Port Diameter d	Port Length l	Displacement
SEALED	0.8 cu.ft (22.6 Liter)	773 mm (30 - 7/16 in.)	362 mm (14 - 1/4 in.)	107 mm (4 - 3/16 in.)	172 mm (6 - 3/4 in.)	282 mm (11 - 1/8 in.)	—	—	0.061 cu.ft
PORTED							76 mm (3 in.)	355 mm (14 in.)	

W, H, D : External dimensions (Use 19 mm (3/4 inch) thick Medium Density Fiberboard (MDF) or High Density Particleboard.)